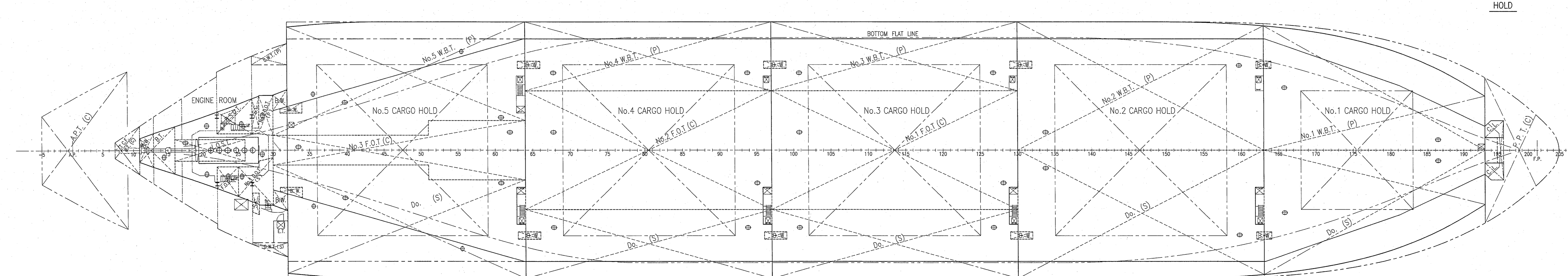
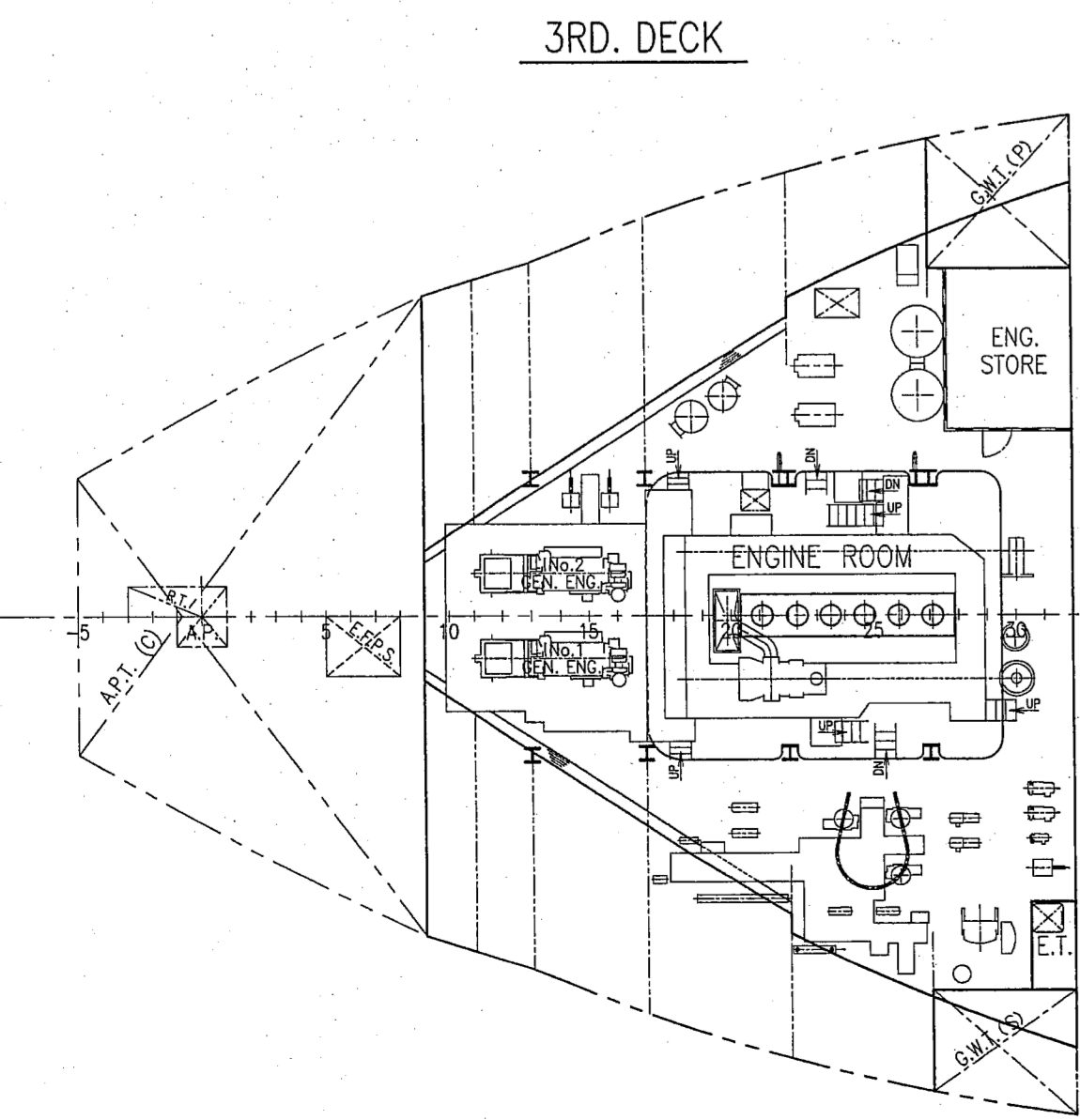
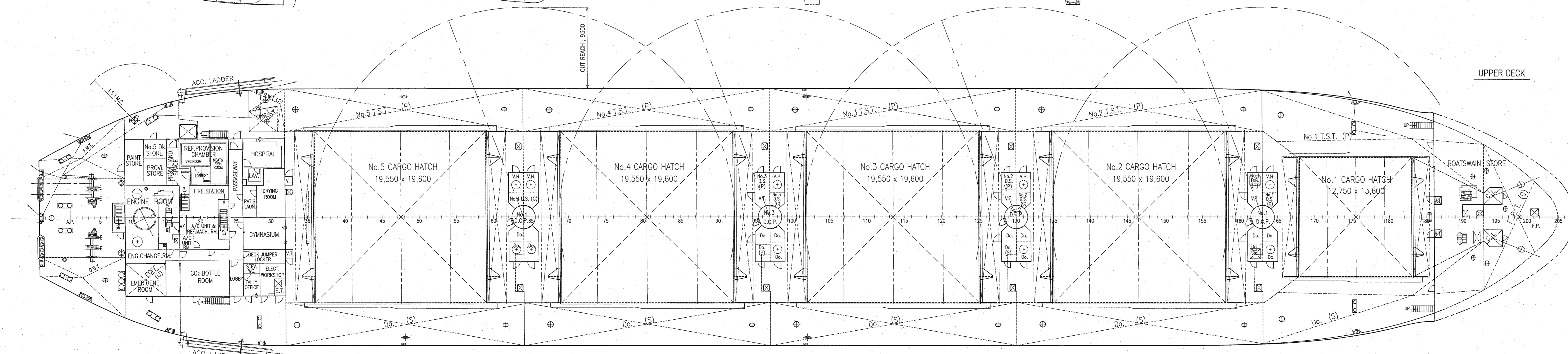
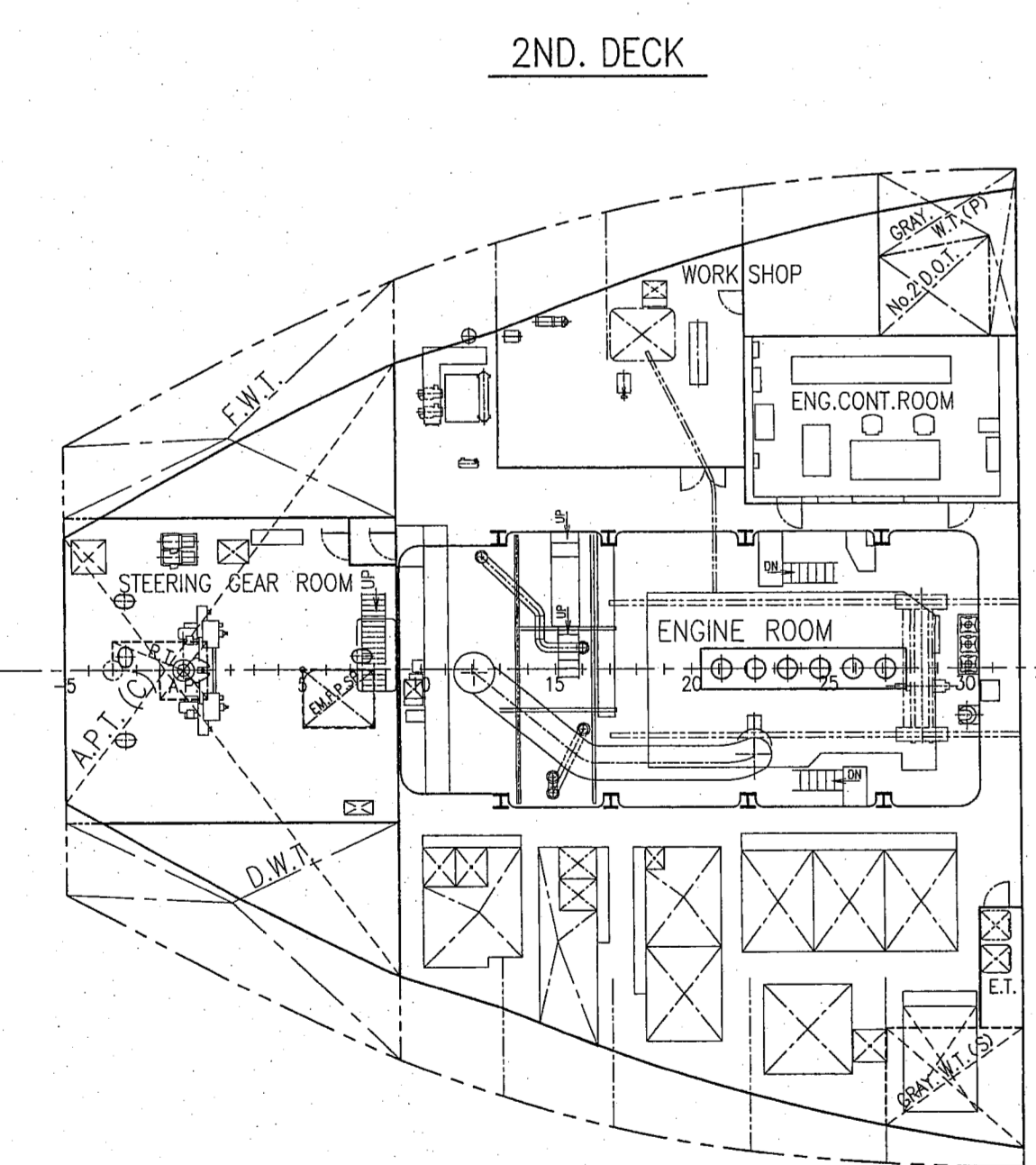
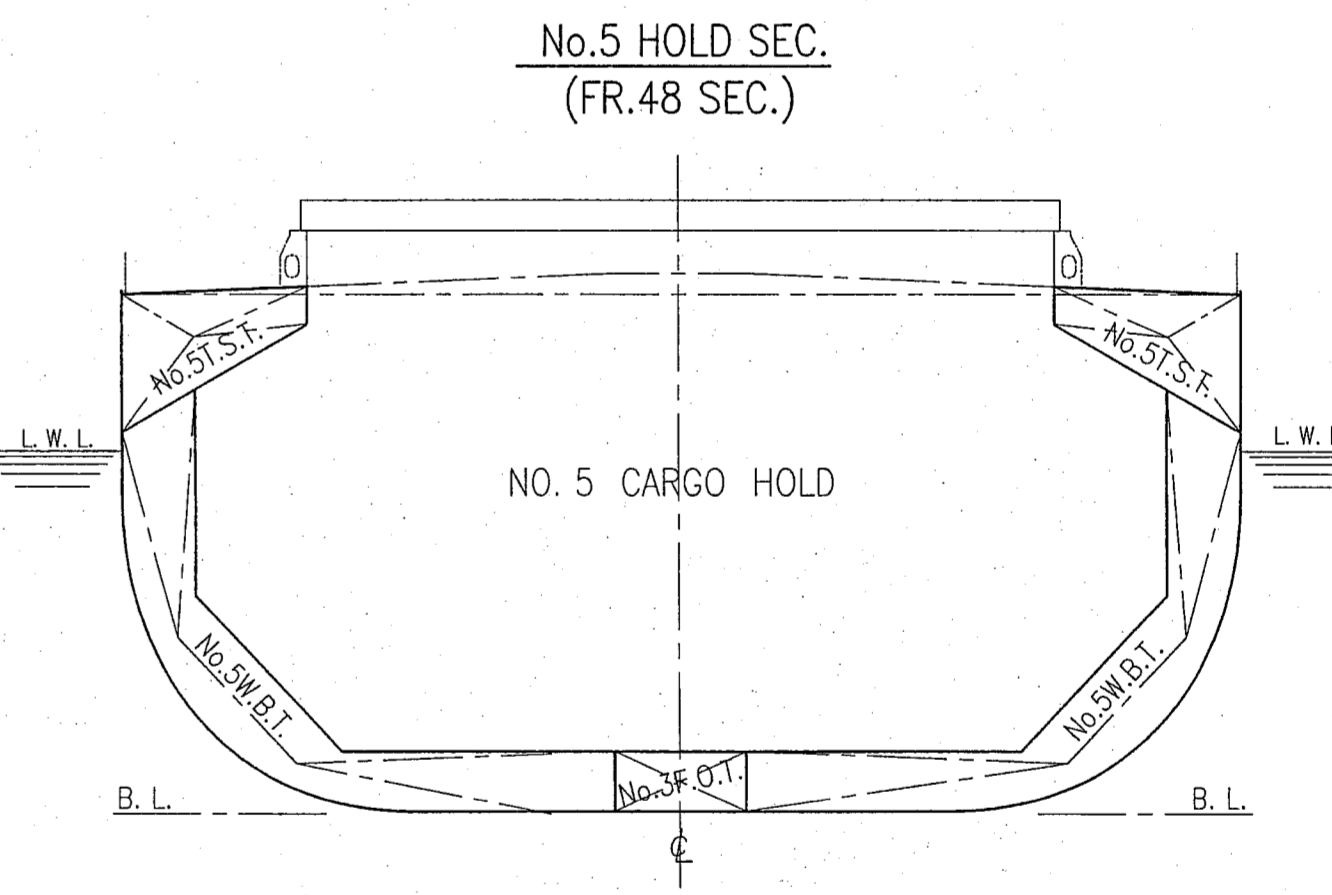
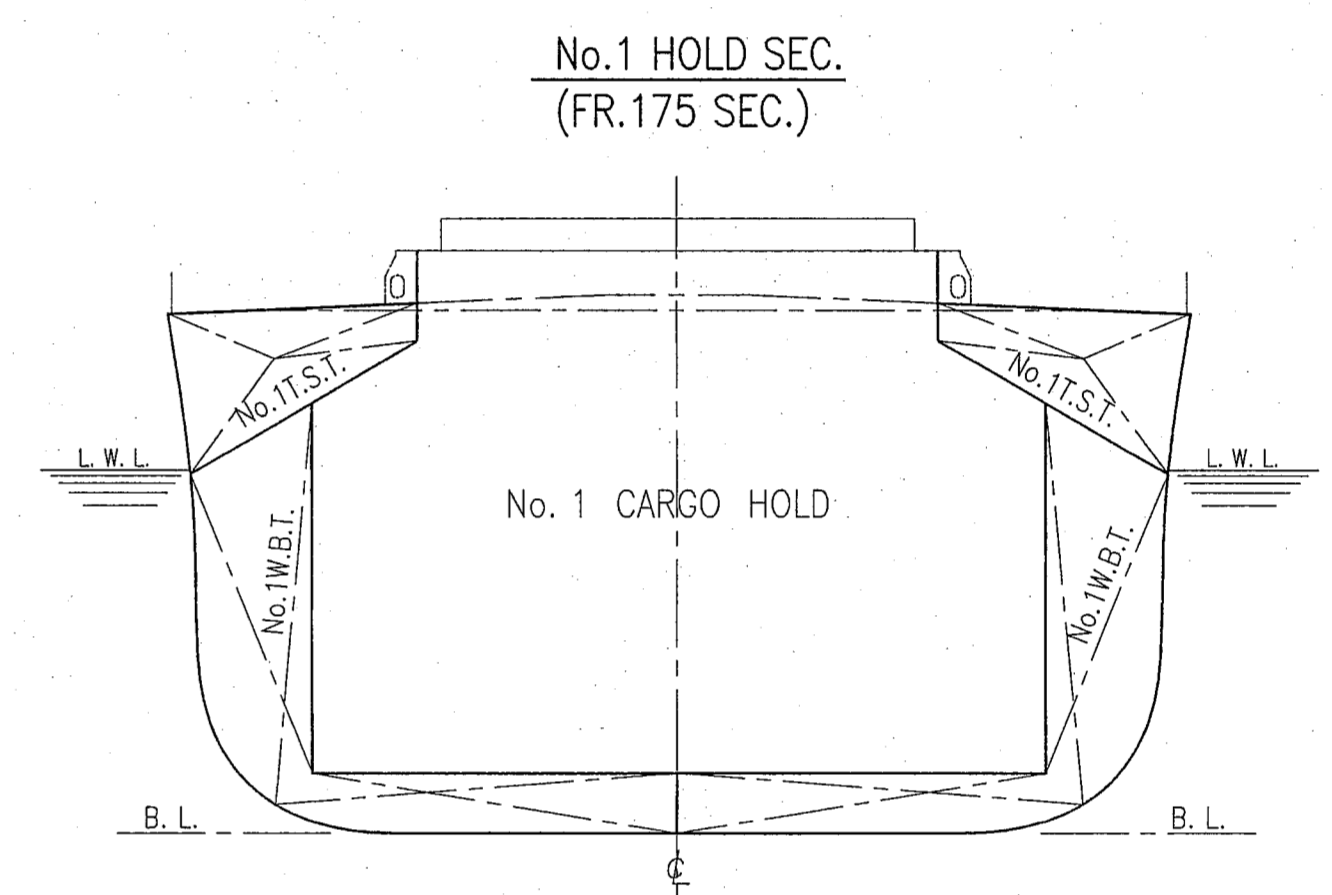
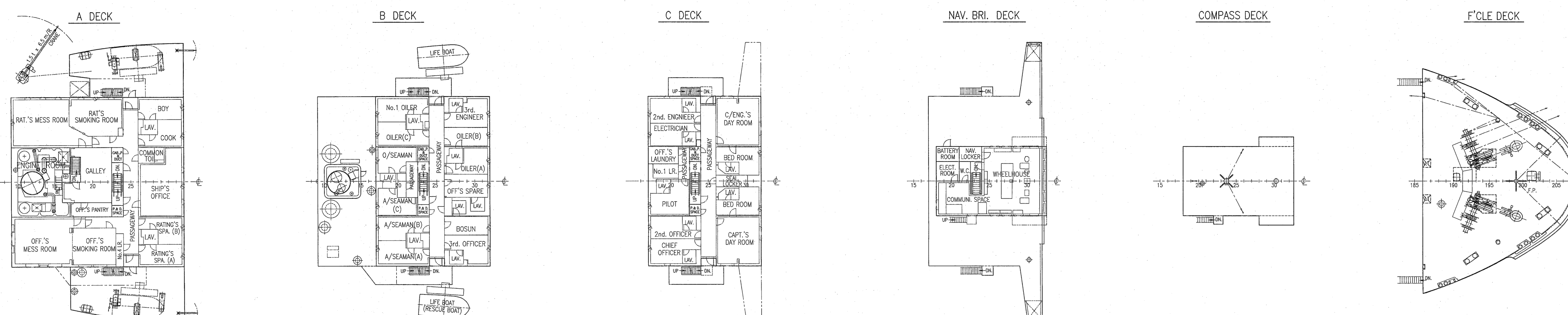
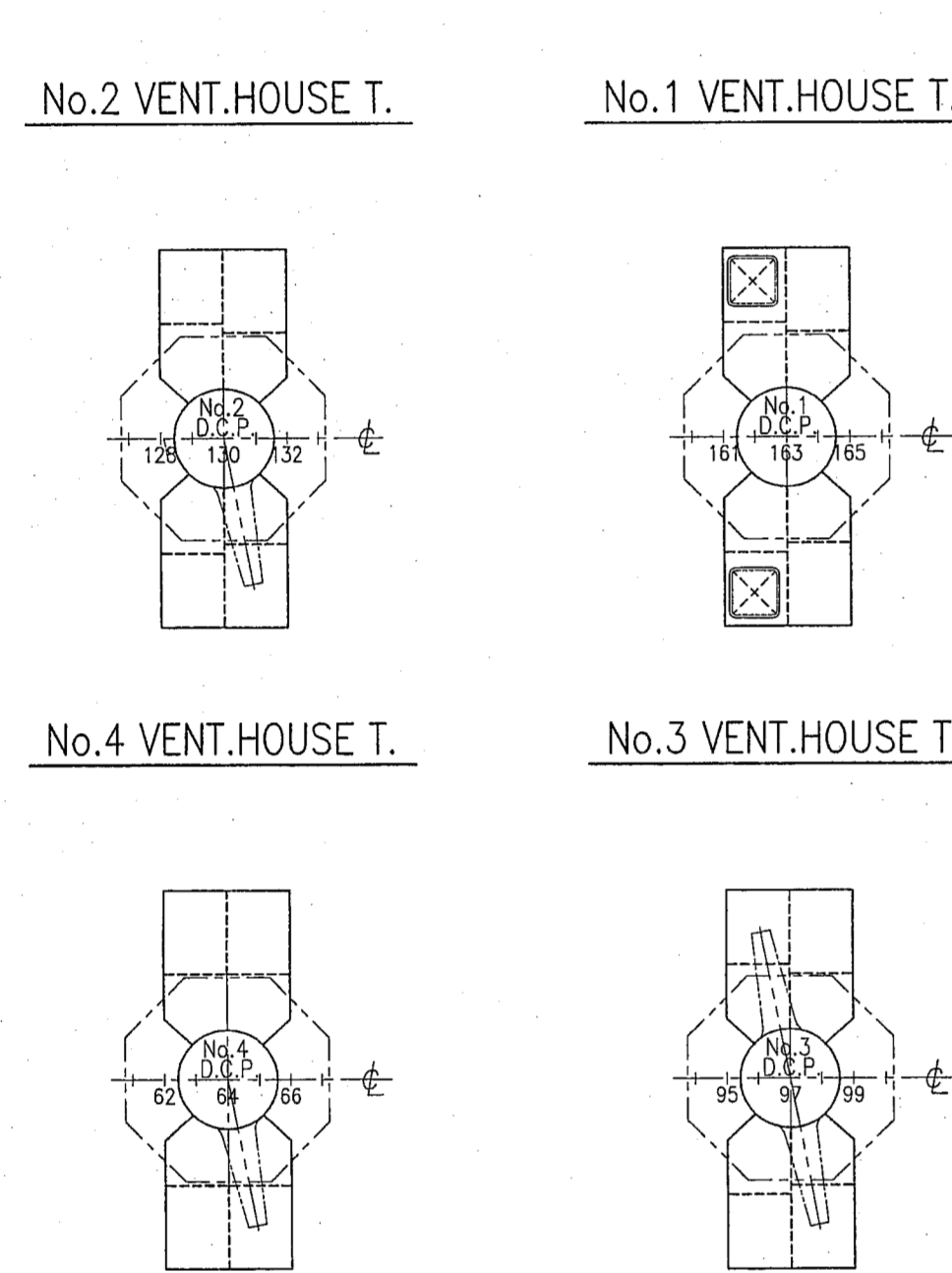
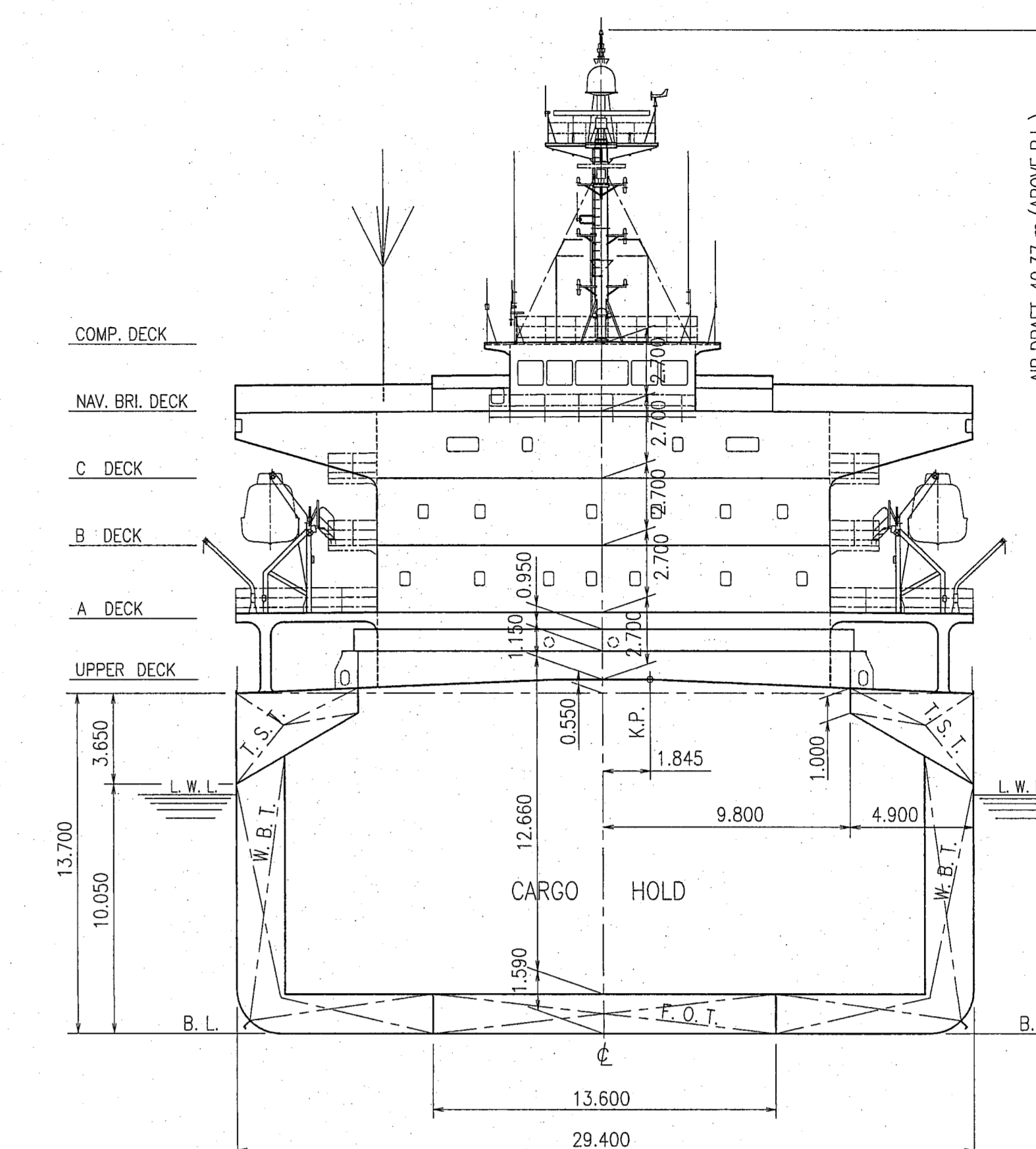
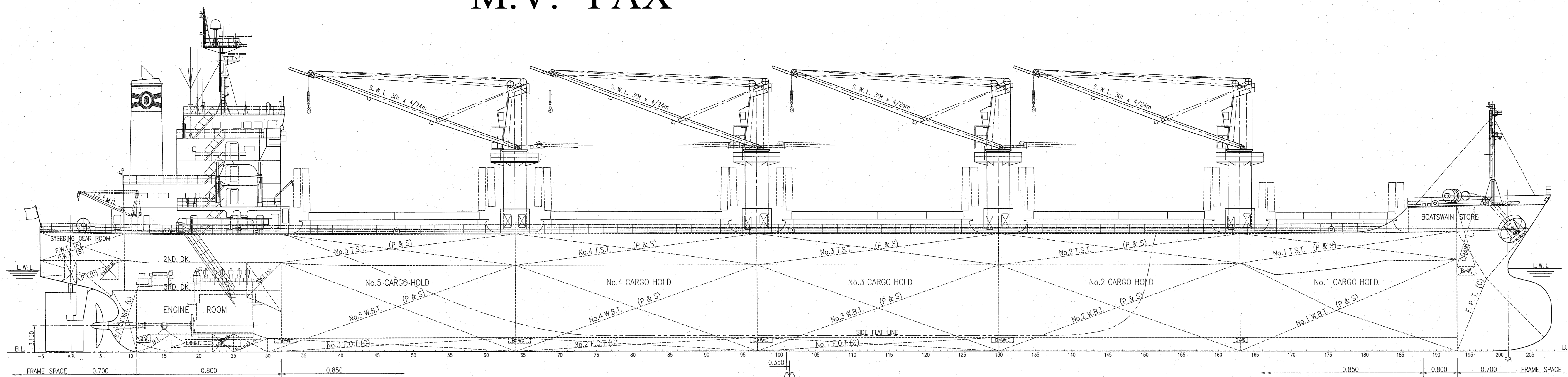


GENERAL ARRANGEMENT (SCALE = 1/200)

M.V. "PAX"



PRINCIPAL PARTICULARS

LENGTH (O.A.)	175.53 m
LENGTH (P.P.)	167.00 m
BREADTH (MLD.)	29.40 m
DEPTH (MLD.)	13.70 m
DRAFT (SUMMER EXT.)	9.640 m
DEADWEIGHT (AT SUMMER)	32,029 t
INTERNATIONAL GROSS TONNAGE	19,846 t
INTERNATIONAL NET TONNAGE	10,514 t
MAIN ENGINE	MITSUBISHI-6UEC52LA X 1 SET
M.C.R.	6,840 kW (9,300 PS) X 129.0 rpm
N.O.R. (85% M.C.R.)	5,814 kW (7,905 PS) X 122.2 rpm
SERVICE SPEED	14.3 kts
TRIAL MAX. SPEED	16.19 kts
COMPLEMENTS	23 P
CLASSIFICATIONS	NK, NS* (BCM, BC - XII, GRAB), MNS*
	Double hull construction applied to all cargo holds
IMO NUMBER	9412610

THE HAKODATE DOCK CO.,LTD.
HAKODATE SHIPYARD HAKODATE,JAPAN