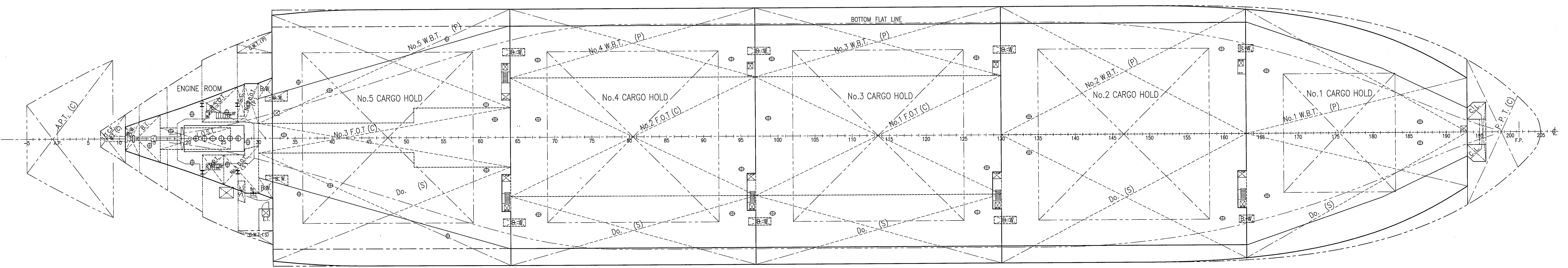
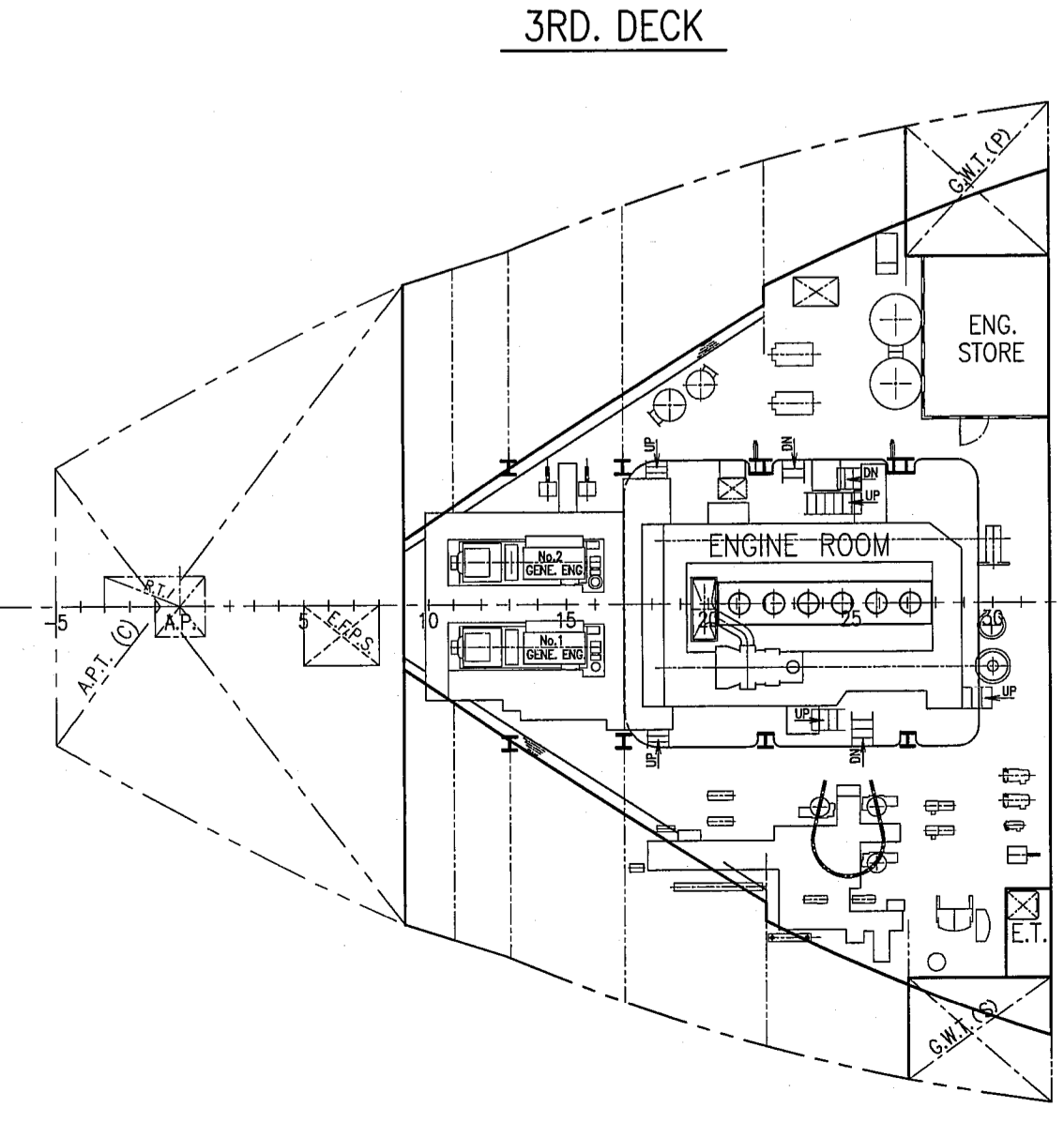
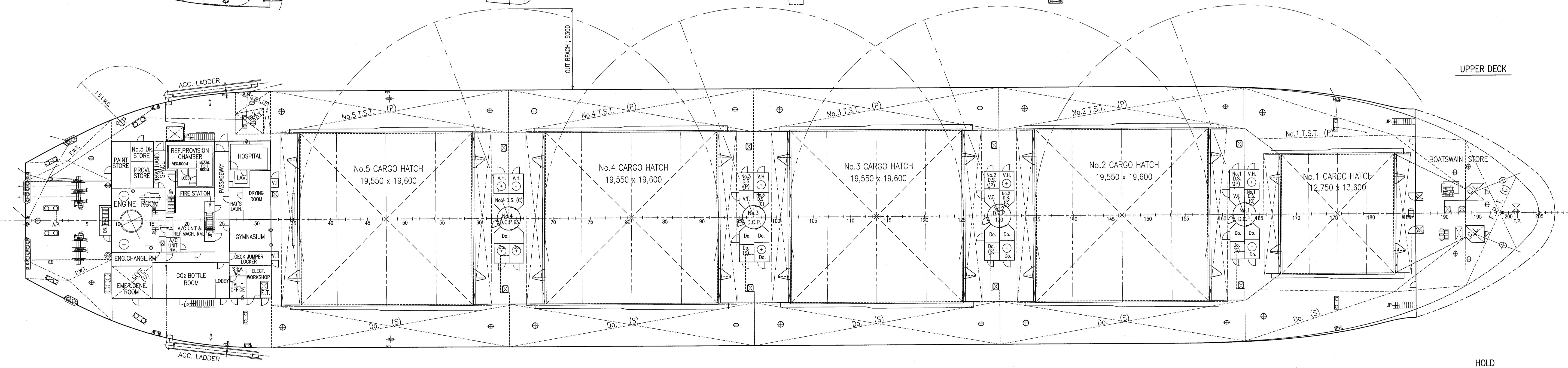
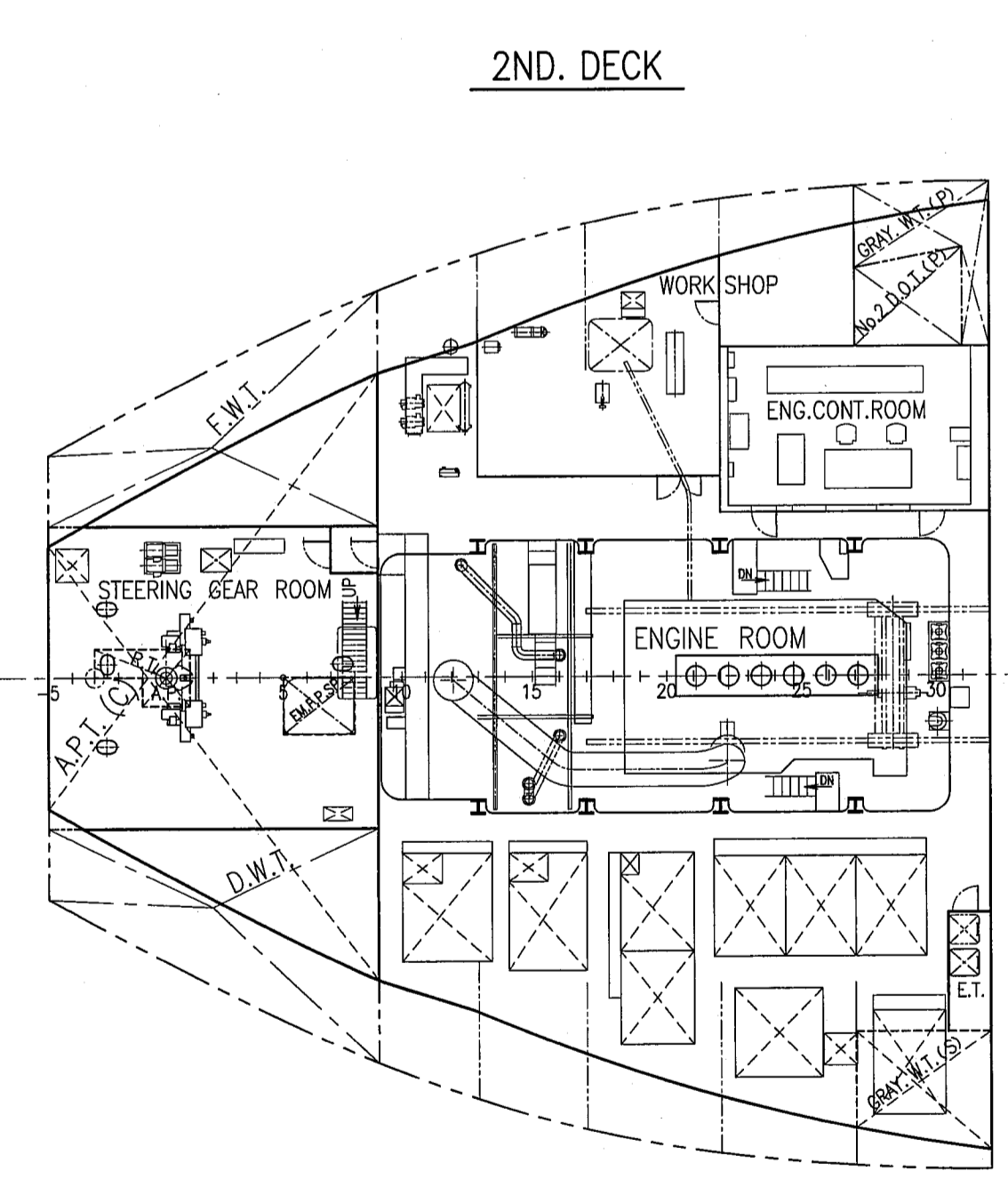
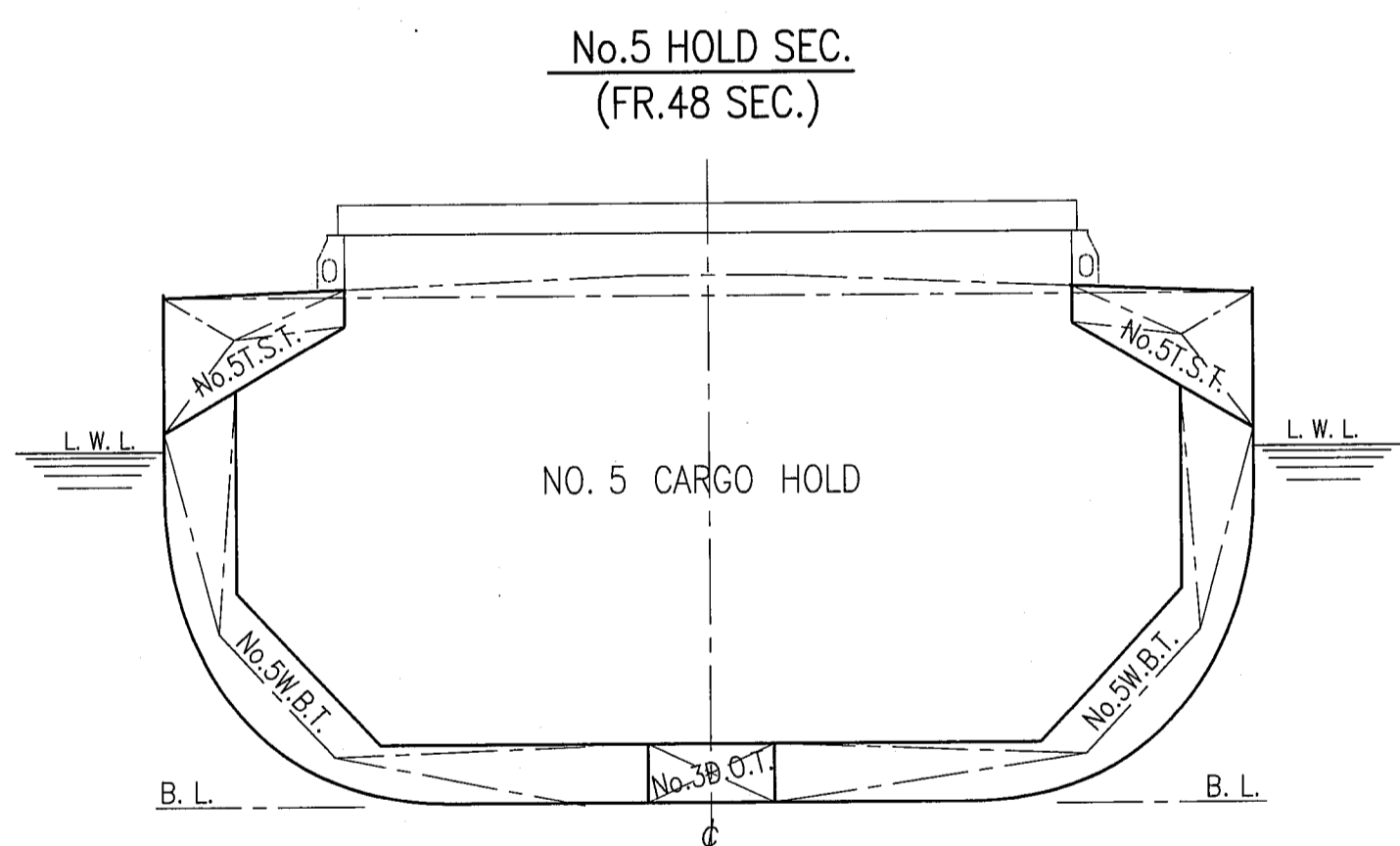
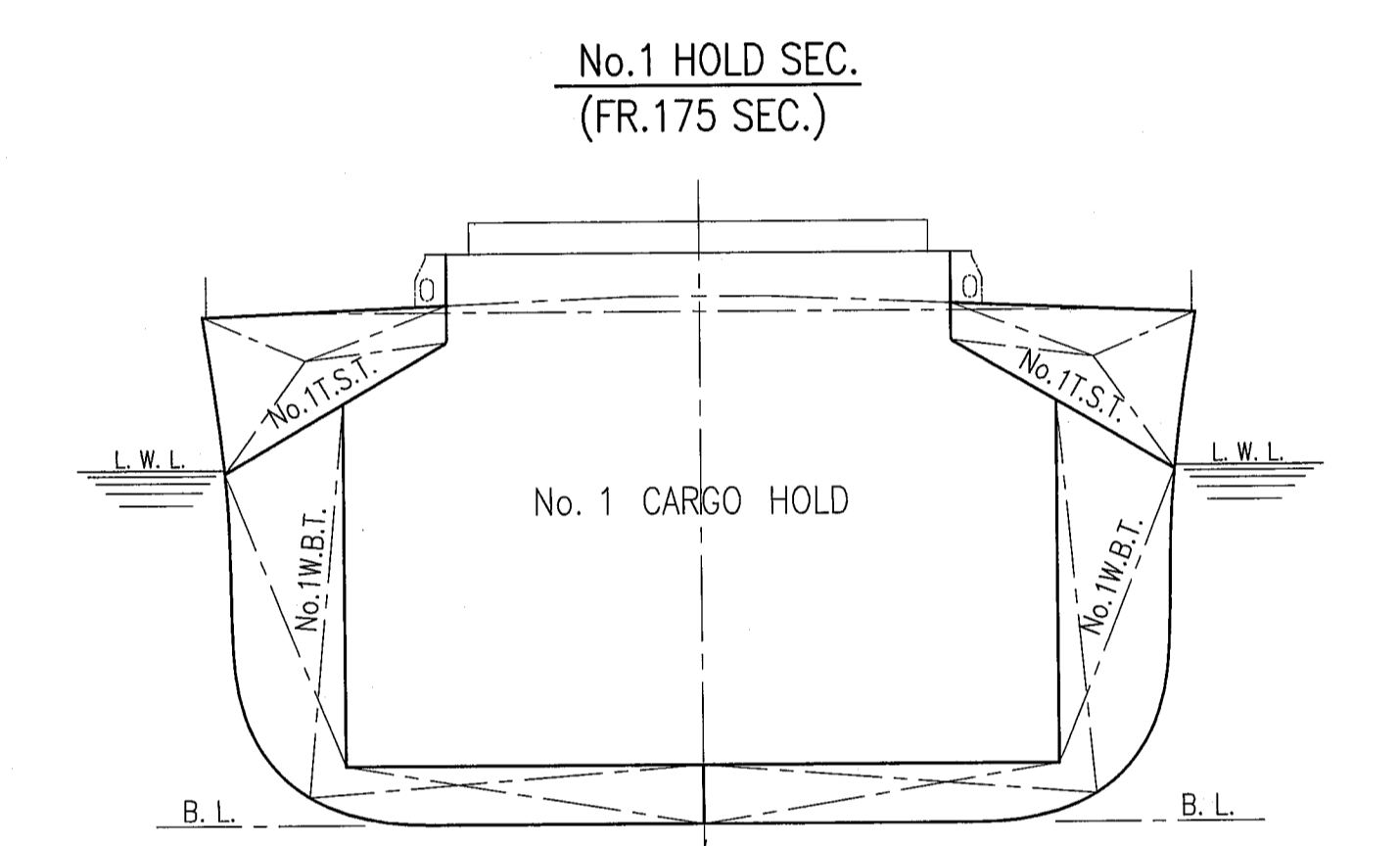
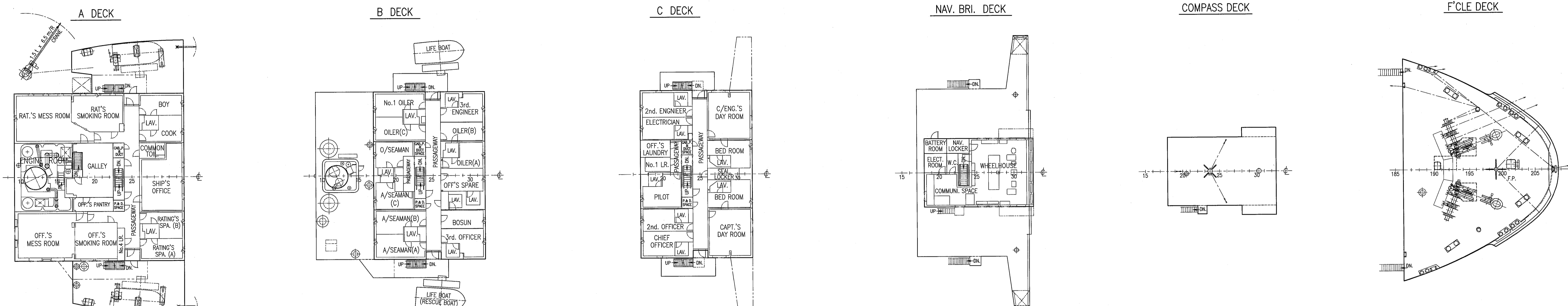
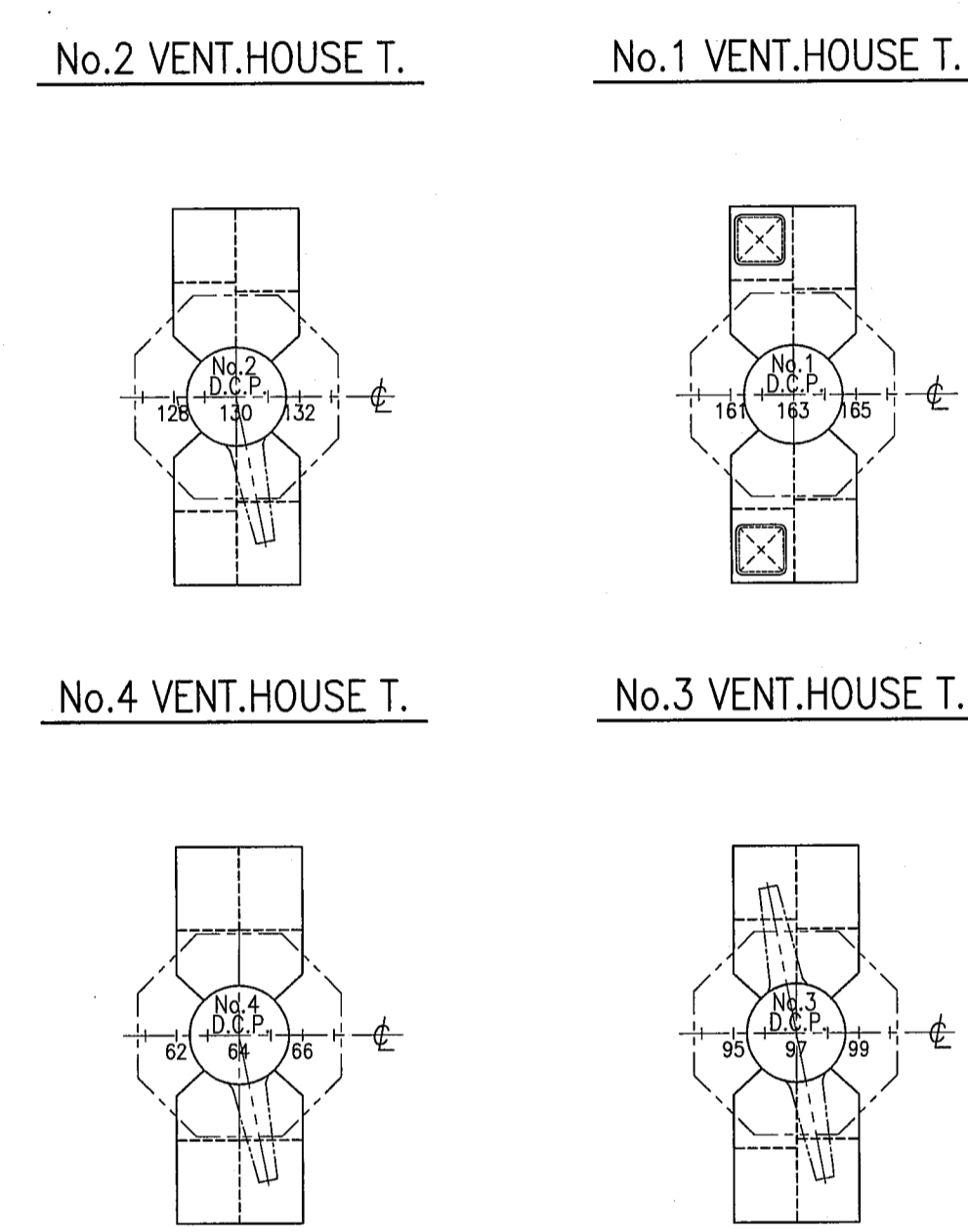
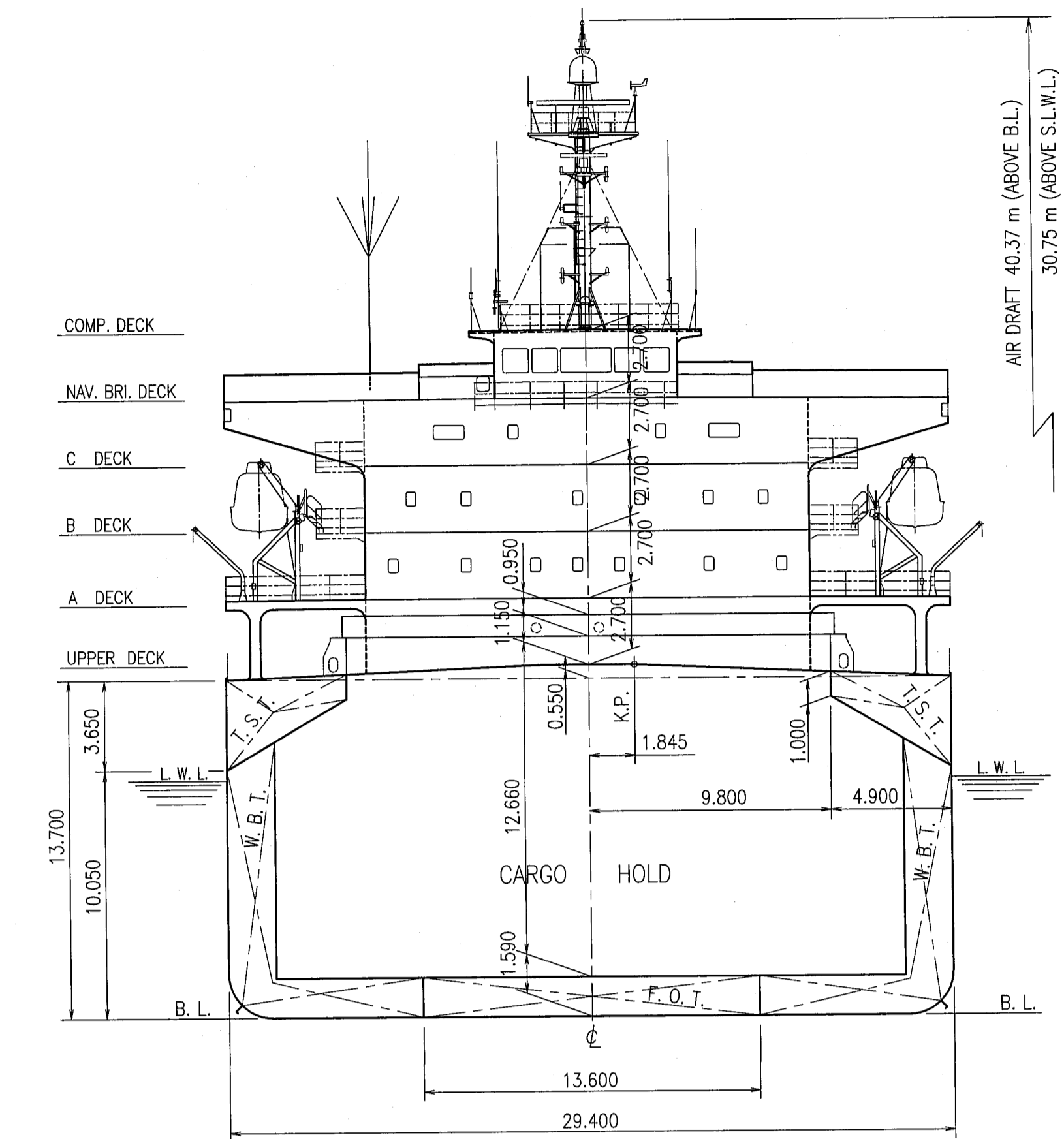
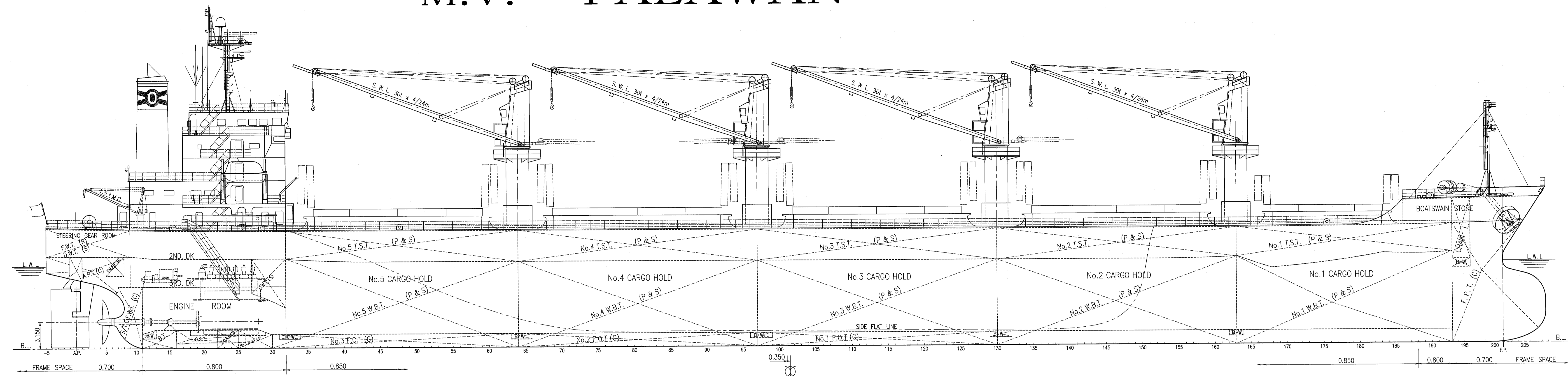


GENERAL ARRANGEMENT (SCALE = 1/200)

M.V. "PALAWAN"

BIBLIOGRAPHY
 DESIGNED BY HAKODATE SHIPYARD
 FOR S.No.812
 (JUNE 5, 2007)



PRINCIPAL PARTICULARS

LENGTH (O.A.)	175.53 m
LENGTH (P.P.)	167.00 m
BREADTH (MLD.)	29.40 m
DEPTH (MLD.)	13.70 m
DRAFT (SUMMER EXT.)	9.840 m
DEADWEIGHT (AT SUMMER)	32,029 t
INTERNATIONAL GROSS TONNAGE	19,846 t
INTERNATIONAL NET TONNAGE	10,514 t
MAIN ENGINE	MITSUBISHI-GUEC52LA X 1 SET
M.C.R.	6,840 kW (9,300 PS) X 129.0 rpm
N.O.R. (85% M.C.R.)	5,814 kW (7,905 PS) X 122.2 rpm
SERVICE SPEED	14.3 kts
TRIAL MAX. SPEED	16.37 kts
COMPLEMENTS	23 P.
CLASSIFICATIONS	NK, NS* (BCM, BC - XII, GRAB.), MNS*
IMO NUMBER	9 3 7 9 6 5 0

THE HAKODATE DOCK CO., LTD.
 HAKODATE SHIPYARD HAKODATE, JAPAN

PALAWAN	
S.No. 812	
GENERAL ARRANGEMENT	
FINISHED PLAN	
SCALE	1/200
THE HAKODATE DOCK CO., LTD. HAKODATE SHIPYARD HAKODATE JAPAN	
SHIP DESIGN DEPARTMENT HULL DESIGN SECTION	
APPROVED	<i>[Signature]</i>
CHECKED	<i>[Signature]</i>
CHECKED	<i>[Signature]</i>
DRAWN	<i>[Signature]</i>
DATE	JUNE 5, 2007
SECTION No.	S. No. 812
DRAWING No.	G-2/F-0